

Specifications

| Models | SLA-5 | | SLA-10 | | SLA-15 | | SLA-20 | | SLA-25 | |
|------------------------------------|--------|--------------|--------|--------------|--------|--------------|--------|--------------|--------|--------------|
| Measurements | Metric | US | Metric | US | Metric | US | Metric | US | Metric | US |
| Working height: | | | | | | | | | | |
| standard forks - down | 1.49 m | 4 ft 10.5 in | 2.97 m | 9 ft 9 in | 4.46 m | 14 ft 7.5 in | 5.94 m | 19 ft 6 in | 7.42 m | 24 ft 4 in |
| standard forks - up | 2.0 m | 6 ft 7 in | 3.49 m | 11 ft 5.5 in | 4.98 m | 16 ft 4 in | 6.46 m | 21 ft 2.5 in | 7.94 m | 26 ft 0.5 in |
| adjustable forks - down | 1.49 m | 4 ft 10.5 in | 2.97 m | 9 ft 9 in | 4.46 m | 14 ft 7.5 in | 5.94 m | 19 ft 6 in | 7.42 m | 24 ft 4 in |
| adjustable forks - up | 2.0 m | 6 ft 7 in | 3.49 m | 11 ft 5.5 in | 4.98 m | 16 ft 4 in | 6.46 m | 21 ft 2.5 in | 7.94 m | 26 ft 0.5 in |
| flat forks | 1.49 m | 4 ft 10.5 in | 2.97 m | 9 ft 9 in | 4.46 m | 14 ft 7.5 in | — | — | — | — |
| boom*** | 1.79 m | 5 ft 10.5 in | 3.28 m | 10 ft 9 in | 4.76 m | 15 ft 7.5 in | 6.25 m | 20 ft 6 in | 7.42 m | 24 ft 4 in |
| load platform** - forks down | 1.49 m | 4 ft 10.5 in | 2.97 m | 9 ft 9 in | 4.46 m | 14 ft 7.5 in | 5.94 m | 19 ft 6 in | 7.42 m | 24 ft 4 in |
| load platform** - forks up | 2.0 m | 6 ft 7 in | 3.49 m | 11 ft 5.5 in | 4.98 m | 16 ft 4 in | 6.46 m | 21 ft 2.5 in | 7.94 m | 26 ft .5 in |
| A Height - stowed | 2.0 m | 6 ft 6.5 in | 2.0 m | 6 ft 6.5 in | 2.0 m | 6 ft 6.5 in | 2.0 m | 6 ft 6.5 in | 2.0 m | 6 ft 6.5 in |
| B Length - stowed | 74 cm | 2 ft 5 in | 74 cm | 2 ft 5 in | 74 cm | 2 ft 5 in | 74 cm | 2 ft 5 in | 79 cm | 2 ft 7 in |
| C Length - operating | 1.51 m | 4 ft 11.5 in | 1.51 m | 4 ft 11.5 in | 1.88 m | 6 ft 2 in | 2.08 m | 6 ft 10 in | 2.08 m | 6 ft 10 in |
| D Width - stowed* | 80 cm | 2 ft 7.5 in | 80 cm | 2 ft 7.5 in | 80 cm | 2 ft 7.5 in | 80 cm | 2 ft 7.5 in | 80 cm | 2 ft 7.5 in |
| - with stabilizers lowered | 1.85 m | 6 ft 1 in | 1.85 m | 6 ft 1 in | 1.85 m | 6 ft 1 in | 1.85 m | 6 ft 1 in | 1.85 m | 6 ft 1 in |
| Width - straddle base* | | | | | | | | | | |
| minimum | 80 cm | 2 ft 7.5 in | 80 cm | 2 ft 7.5 in | 80 cm | 2 ft 7.5 in | — | — | — | — |
| maximum | 1.47 m | 4 ft 10 in | 1.47 m | 4 ft 10 in | 1.47 m | 4 ft 10 in | — | — | — | — |
| maximum inside | 1.27 m | 4 ft 2 in | 1.27 m | 4 ft 2 in | 1.27 m | 4 ft 2 in | — | — | — | — |
| E Ground clearance - center | 5 cm | 2 in | 5 cm | 2 in | 5 cm | 2 in | 5 cm | 2 in | 5 cm | 2 in |
| F Load height minimum | 15 cm | 6 in | 15 cm | 6 in | 15 cm | 6 in | 15 cm | 6 in | 15 cm | 6 in |
| Front casters | 10 cm | 4 in | 10 cm | 4 in | 10 cm | 4 in | 10 cm | 4 in | 10 cm | 4 in |
| Rear casters | 13 cm | 5 in | 13 cm | 5 in | 13 cm | 5 in | 13 cm | 5 in | 13 cm | 5 in |

Productivity

Load capacity:

| | | | | | | | | | | |
|----------------------------|--------|-----------|--------|-----------|--------|---------|--------|---------|--------|---------|
| 46 cm (18 in) load center | 454 kg | 1,000 lbs | 454 kg | 1,000 lbs | 363 kg | 800 lbs | 363 kg | 800 lbs | 295 kg | 650 lbs |
| 61 cm (24 in) load center | 454 kg | 1,000 lbs | 454 kg | 1,000 lbs | 363 kg | 800 lbs | 272 kg | 600 lbs | 204 kg | 450 lbs |
| 107 cm (42 in) load center | 159 kg | 350 lbs | 181 kg | 400 lbs | 227 kg | 500 lbs | 159 kg | 350 lbs | 113 kg | 250 lbs |

Power

Average cranks:

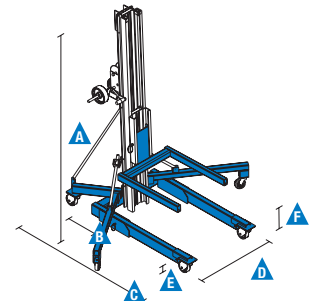
| | | | | | | | | | | |
|----------------|-----------------------------|-----------------------------|-----------------------------|-----------------------------|-----------------------------|-----------------------------|-----------------------------|-----------------------------|-----------------------------|-----------------------------|
| standard winch | 27.8 cranks/m 8.5 cranks/ft | 27.8 cranks/m 8.5 cranks/ft | 27.8 cranks/m 8.5 cranks/ft | 27.8 cranks/m 8.5 cranks/ft | 27.8 cranks/m 8.5 cranks/ft | 27.8 cranks/m 8.5 cranks/ft | 27.8 cranks/m 8.5 cranks/ft | 27.8 cranks/m 8.5 cranks/ft | 27.8 cranks/m 8.5 cranks/ft | 27.8 cranks/m 8.5 cranks/ft |
|----------------|-----------------------------|-----------------------------|-----------------------------|-----------------------------|-----------------------------|-----------------------------|-----------------------------|-----------------------------|-----------------------------|-----------------------------|

Weight

| | | | | | | | | | | |
|---------------|--------|---------|--------|---------|--------|---------|--------|---------|--------|---------|
| Standard | 98 kg | 215 lbs | 118 kg | 260 lbs | 151 kg | 333 lbs | 184 kg | 405 lbs | 204 kg | 450 lbs |
| Straddle base | 117 kg | 258 lbs | 137 kg | 303 lbs | 163 kg | 360 lbs | — | — | — | — |

Load Handling Attachments

| Measurements | Metric | US | Weight - Metric | Weight - US |
|---|------------------|-------------------|-----------------|-------------|
| Standard forks (l/w/d)**** | 69/58/6 cm | 27/23/2.5 in | 18 kg | 38.9 lbs |
| Adjustable forks (l/w/d)**** | 70/30-76/6 cm | 27.5/12-30/2.5 in | 24 kg | 52.5 lbs |
| Fork extensions detached (each) (l/w/d)**** | 76/5/8 cm | 30/2/3 in | 2 kg | 4.5 lbs |
| Fork extensions attached (each) (l/w/d)**** | 64/5/8 cm | 25/2/3 in | 2 kg | 4.5 lbs |
| Flat forks (l/w/d)**** | 81/41-79/3.8 cm | 32/16-31/1.5 in | 36 kg | 80.1 lbs |
| Boom (l/w/d)**** | 46-107/4/16.5 cm | 18-42/1.5/6.5 in | 39.9 lbs | 18 kg |
| Load platform (l/w/d)**** | 70/58/7 cm | 27.5/23/2.75 in | 14 kg | 31.5 lbs |



Standards Compliance

EU Directive: 2006/42/EC (Machinery)

* Outside dimensions.

** For use with standard and adjustable forks only.

*** Measured from ground to bottom of shackle.

**** Length/width/depth.

Features

| Standard Features | Easily Configured To Meet Your Needs | Options & Accessories |
|-------------------|--------------------------------------|-----------------------|
|-------------------|--------------------------------------|-----------------------|

Measurements

SLA™-5

- 2.0 m (6 ft 7 in) maximum lifting height
- Up to 454 kg (1,000 lbs) load capacity

SLA-10

- 3.49 m (11 ft 5.5 in) maximum lifting height
- Up to 454 kg (1,000 lbs) load capacity

SLA-15

- 4.98 m (16 ft 4 in) maximum lifting height
- Up to 363 kg (800 lbs) load capacity

SLA-20

- 6.46 m (21 ft 2.5 in) maximum lifting height
- Up to 363 kg (800 lbs) load capacity

SLA-25

- 7.94 m (26 ft 0.5 in) maximum lifting height
- Up to 295 kg (650 lbs) load capacity

Productivity

- Heavy-duty design
- Patented telescoping mast system with mast brake
- Captive stabilizer set (standard on SLA-20, -25, not available on straddle base)
- Rolls easily through single door in upright position
- Quick set up requires no tools
- Interchangeable load handling attachments
- Maneuverable casters
- Compact design, legs fold up for easy storage
- Roller wheels allow easy transport in stowed position
- Easy to load and unload on or off a vehicle for transport
- Hold-down bar secures mast assembly during transport

Power

- One speed manual winch

Productivity & Fork Options

- Standard forks
- Adjustable forks
- Fork extensions
- Flat forks (SLA-5, -10, -15 only)
- Boom
- Pipe cradle⁽¹⁾
- Load platform

Power Options

- One speed manual winch (standard)
- Two-speed manual winch⁽¹⁾

Base Options

- Standard base
- Straddle base (SLA-5, -10, -15 only)
- Standard mast brake
- Stabilizer set (standard on SLA-20, -25, not available on straddle base)

Casters

- Front swivel casters, 10 cm (4 in), non-marking (standard)
- Rear swivel casters, 13 cm (5 in), non-marking (standard)
- 4-way swivel locks and side brakes (standard)

Productivity

- Adjustable forks
- Fork extensions
- Flat forks (SLA-5, -10, -15 only)
- Boom
- Pipe cradle⁽¹⁾
- Load platform
- Pneumatic rear transport wheel assembly
- Captive stabilizer set (option on SLA-5, -10, -15, not available on straddle base)

Power

- Two-speed manual winch⁽¹⁾



⁽¹⁾ Available aftermarket only

United Kingdom and MESART

The Maltings, Wharf Road, Grantham NG31 6BH, T: +44 800 988 3739 (toll free), Fax +44 (0)1476 584334, Email AWP-InfoEurope@terex.com
 Middle East, Southern Africa, Russia and Turkey, T: +971 4 399 0381, Email AWP-InfoME@terex.com
 Visit www.genielift.com/en-gb/about-genie/locations to view our global locations list.

Worldwide Manufacturing And Distribution

Australia · Brazil · Caribbean · Central America · China · France · Germany · Italy · Japan · Korea · Mexico · Russia · Southeast Asia · Spain · Sweden · United Arab Emirates · United Kingdom · United States

Product specifications and prices are subject to change without notice or obligation. The photographs and/or drawings in this document are for illustrative purposes only. Refer to the appropriate Operator's Manual for instructions on the proper use of this equipment. Failure to follow the appropriate Operator's Manual when using our equipment or to otherwise act irresponsibly may result in serious injury or death. The only warranty applicable to our equipment is the standard written warranty applicable to the particular product and sale and we make no other warranty, express or implied. Products and services listed may be trademarks, service marks or trade names of Terex Corporation and/or their subsidiaries in the USA and many other countries. Genie is a registered trademark of Terex South Dakota, Inc. © 2019 Terex Corporation.

